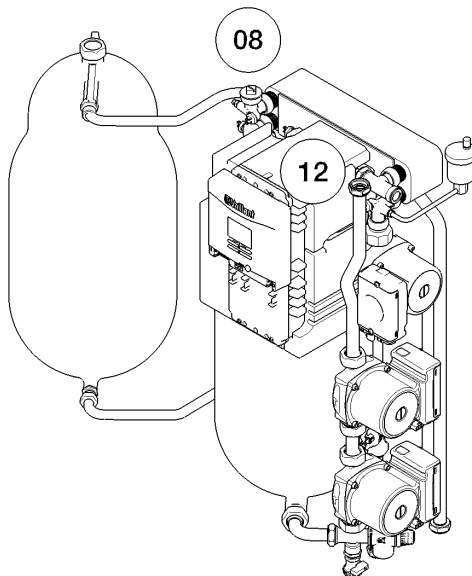
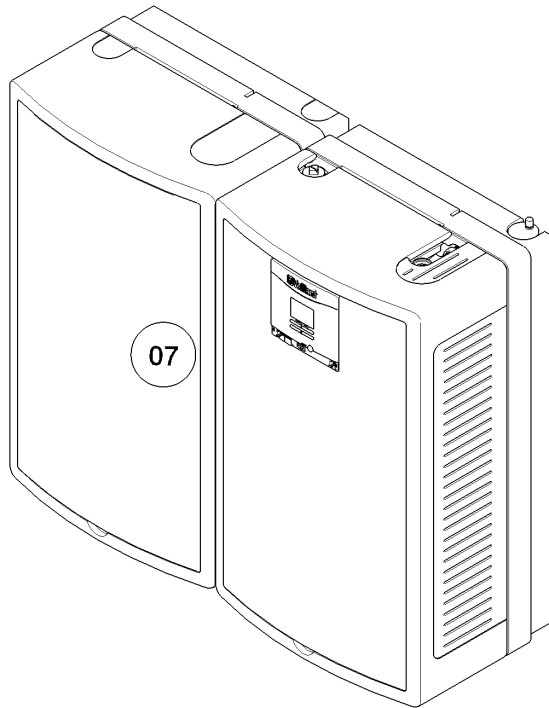


Hydraulics

VPM 15 D

Assembly Overview



Hydraulics

VPM 15 D

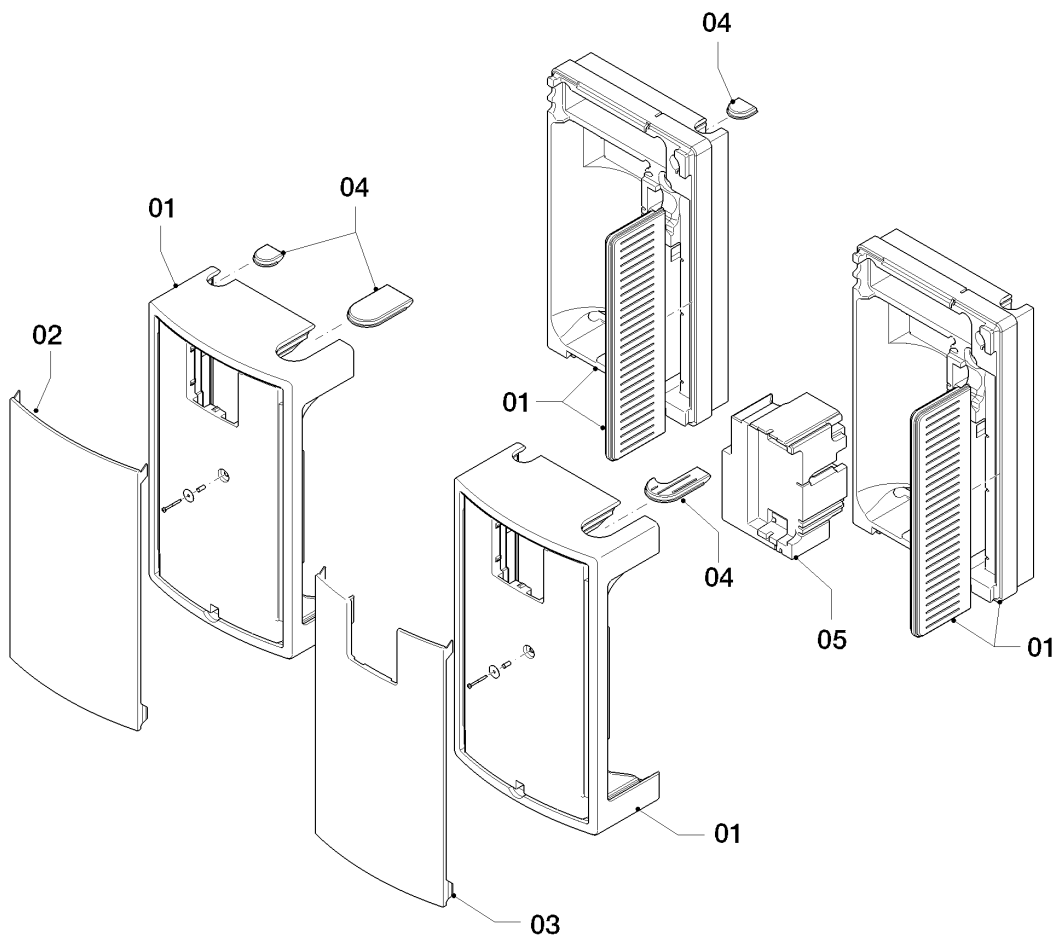
Assembly Overview

Pos.	Assembly Group
07	Casing parts
08	Connection parts
12	Control panel

Hydraulics

VPM 15 D

07 - Casing parts



05 - 07 - 025

Hydraulics

VPM 15 D

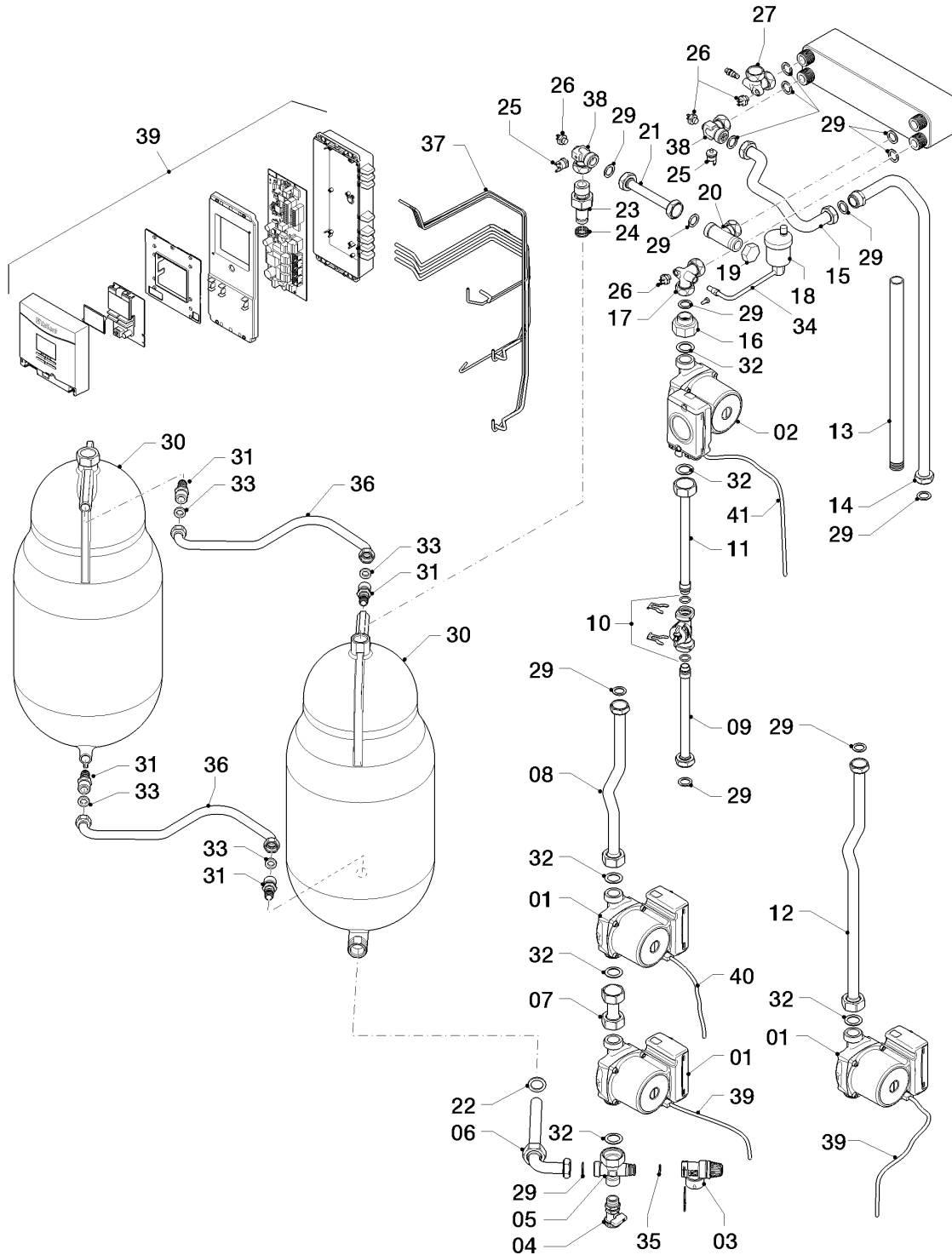
07 - Casing parts

Pos.	Article Number	Description	Note
01	0020166538	Insulation, housing	
02	0020166539	Fascia panel	
03	0020166540	Fascia panel	
04	0020166541	Insulation, plug	
05	180987	Support	

Hydraulics

VPM 15 D

08 - Connection parts



05 - 08 - 017.01

Hydraulics

VPM 15 D

08 - Connection parts

Pos.	Article Number	Description	Note
01	0020166542	Pump	with part 32
02	0020166558	Pump	with part 32
03	0020166543	Pressure relief valve	with part 35
04	0020085410	Tap	
05	0020166544	T-connector	with parts 29, 35
06	0020166545	Tube	with parts 22, 29
07	0020085522	Tube	with part 32
08	0020166546	Tube	with parts 29, 32
09	0020166547	Tube	with part 29
10	0020085154	Sensor	with O-ring
10	0020142246	O-ring (PK2)	
11	0020166548	Tube	with part 32
12	0020166549	Tube	with parts 29, 32
13	0020166550	Hose	
14	0020166551	Tube	with part 29
15	0020166552	Tube	with part 29
16	0020176335	Nipple (reducing)	
17	0020166553	Connection	with part 29
18	061707	Automatic de-aerator	
19	0020064686	Plug	
20	0020166554	T-connector	with part 29
21	0020166555	Tube	with part 29
22	0020107696	O-ring (PK10)	
23	0020166556	Connection	with part 29
24	0020107696	O-ring (PK10)	
25	0020085157	Temperature monitor	
26	0020045972	Sensor (NTC)	
27	0020166557	Connection	with part 29
28	0020166565	Heat exchanger	with part 29
29	981140	Sealing ring 3/4 (PK10)	
30	0020166559	Tank	with part 33
31	0020166560	Connection	
32	981254	Sealing ring (PK10)	
33	981142	Sealing ring (PK10)	

Hydraulics

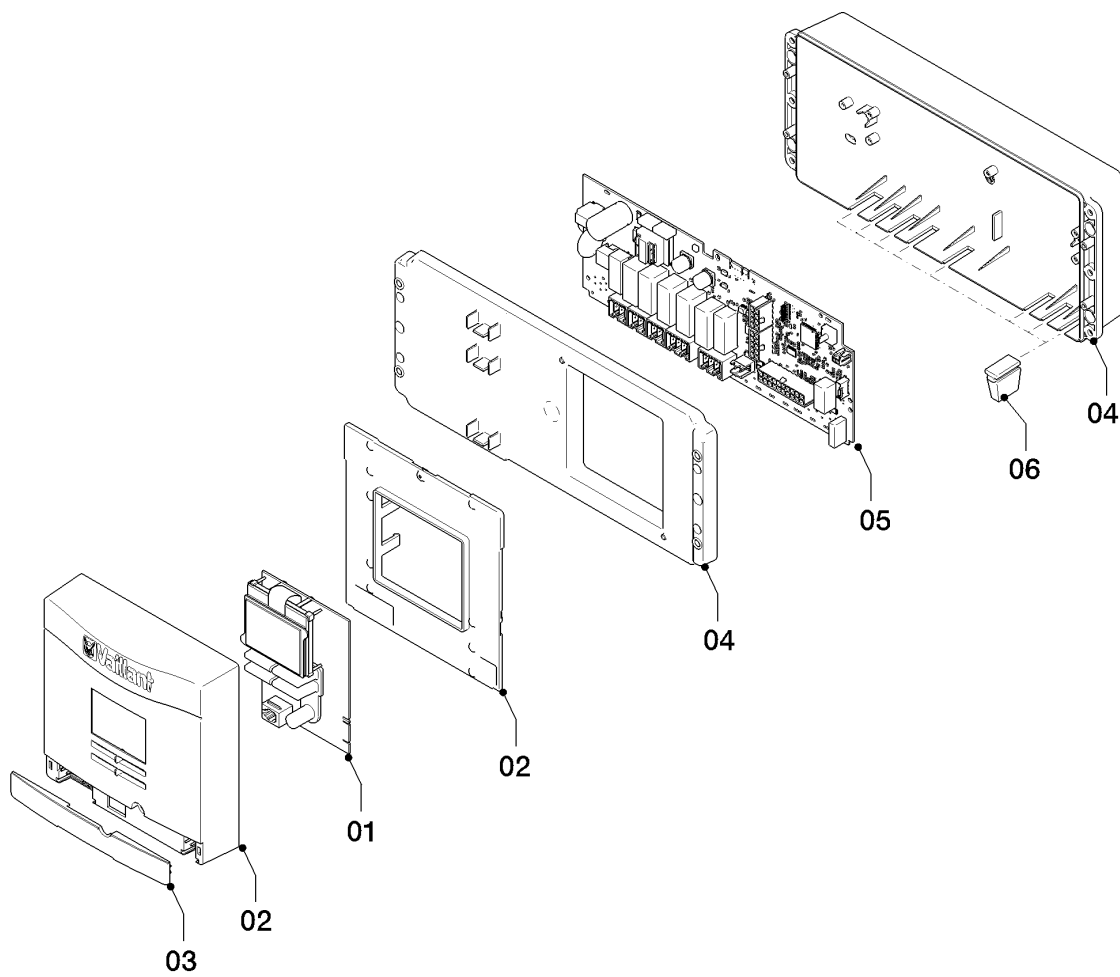
VPM 15 D

08 - Connection parts

Pos.	Article Number	Description	Note
34	0020166561	Tube	
35	981163	O-ring (PK10)	
36	0020166566	Tube	with part 33
37	0020166562	Wiring harness	
38	0020086534	Connection	
39	0020176336	Cable, pump solar, basic module	
40	0020176337	Cable, pump solar, extension module	
41	0020176338	Cable, pump puffer	

Hydraulics

VPM 15 D
12 - Control panel



05 - 12 - 021.00

Hydraulics

VPM 15 D

12 - Control panel

Pos.	Article Number	Description	Note
01	0020166564	Display	
02	0020160490	Housing	
03	0020174718	Cover plate, name badge (kit)	
04	0020166563	Housing	
05	0020166567	PCB	
06	0020160491	Plug (PK10)	